

OPERATION AND MAINTENANCE MANUAL

ATC-03CF

NSN: 6520-01-446-6263



*P.O. Box 1548 Woodinville, WA 98072-1548
1-800-426-5913 * 425-487-3157 * Fax: 360-668-8722
email: info@aseptico.com * Internet: www.aseptico.com*

P/N 420271
Rev. A
07/00

TABLE OF CONTENTS

Introduction3
 Purpose3
 Performance Characteristics3
 Items Furnished3
Operation Instructions4
 Set-Up4
Parts List4
Parts Diagram5

TABLE OF ILLUSTRATIONS

Figure 1 - Parts Diagram6

PURPOSE:

The Aseptico ATC-03CF Command Air Portable Tray Stand is a lightweight, heavy-duty field system that includes a standard instrument tray with a tripod stand. This tray stand is highly portable and will fit in the mil-spec hard shell case included with the ADC-01CS Command Air Portable Dental Chair for easy deployment.

PERFORMANCE CHARACTERISTICS:

Tray and Molded Support:

Size: 14" x 9.75"

Weight without carrying case: 2.4 lbs

Weight with carrying case: 2.85 lbs

Tripod Stand:

Size (folded): 26" x 4" x 3.5"

Size (open): 25" x 25" x 29" to 57" (Height adjustable)

Weight without carrying case: 5.25 lbs.

Weight with carrying case: 5.65 lbs.

ITEMS FURNISHED

One (1) AA-50 Tray and Molded Support

One (1) Tripod stand

One (1) Soft padded tray carrying case

One (1) Soft padded tripod stand carrying case

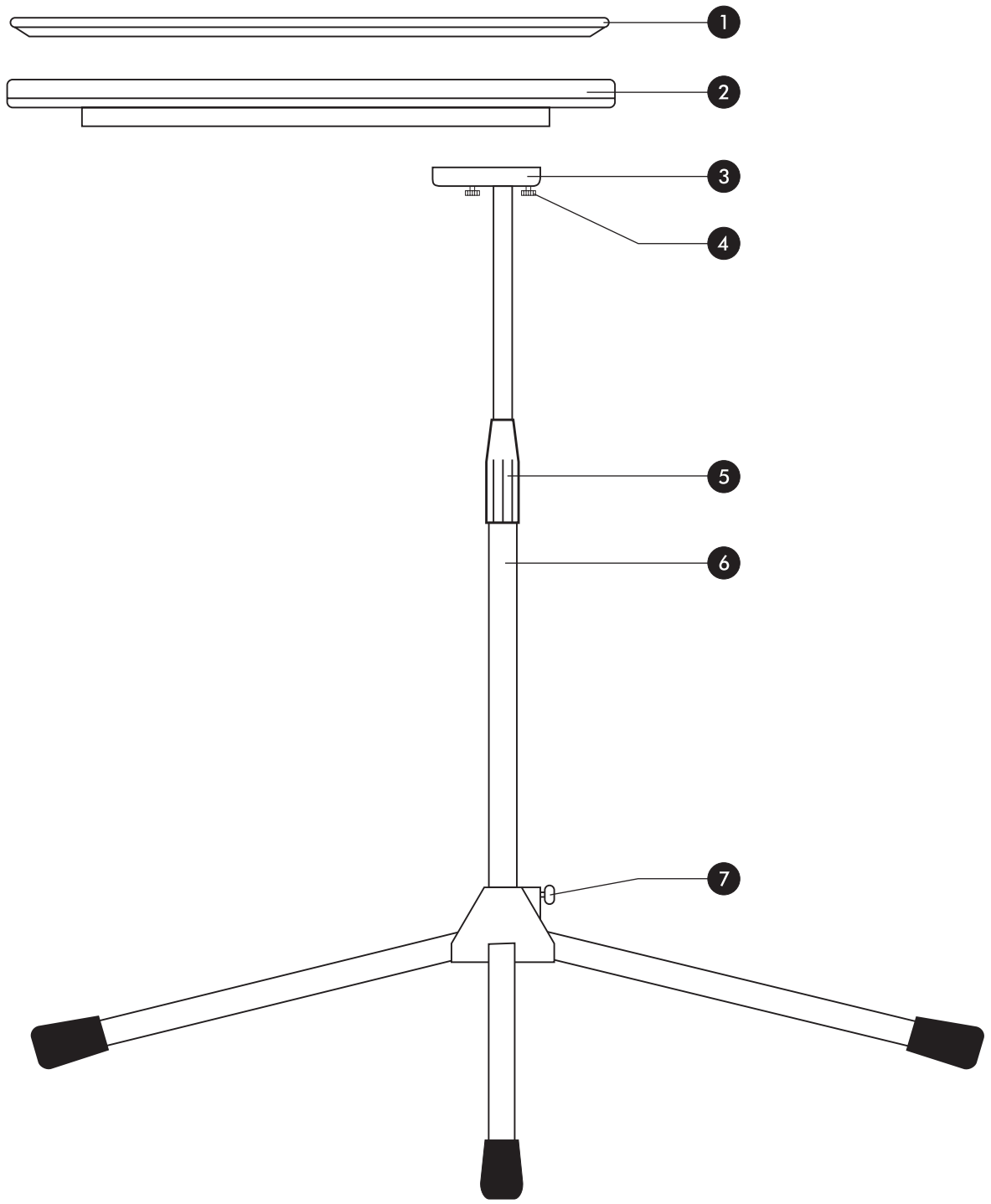
One (1) Operation and Maintenance Manual

SET-UP:

1. Remove tray & stand from carrying cases. Unfold tripod legs, slide to the base of the center column, and secure with thumbscrew. Set on floor.
2. Line-up mounting holes on the far end of the molded tray support with the mounting block and thumbscrews on the telescoping center column. Tighten thumb-screws to secure molded tray support to center column.
3. Place stainless steel tray on top of molded tray support. Turn telescoping center column adjustment counterclockwise to loosen, set column to desired height, then turn clockwise to secure.

PARTS LIST

	Item	Part Number	Quantity
1	Stainless Steel Tray	AA-50	1
2	Molded Tray Support	460104	1
3	Mounting Block	460692-08	1
4	Thumbscrews	510372	2
5	Telescoping Tripod Stand	730252-02	1
6	Center Column Adjustment	-----	1
7	Thumbscrew	-----	1
Not Shown	Storage Pouch, Tray	460796	1
Not Shown	Storage Pouch, Tripod Stand	460797	1



**Aseptico ATC-03CF
Command Air Portable Tray Stand**

Figure 1 - Parts Diagram



*P.O. Box 1548 Woodinville, WA 98072-1548
1-800-426-5913 * 425-487-3157 * Fax: 360-668-8722
email: info@aseptico.com * Internet: www.aseptico.com*